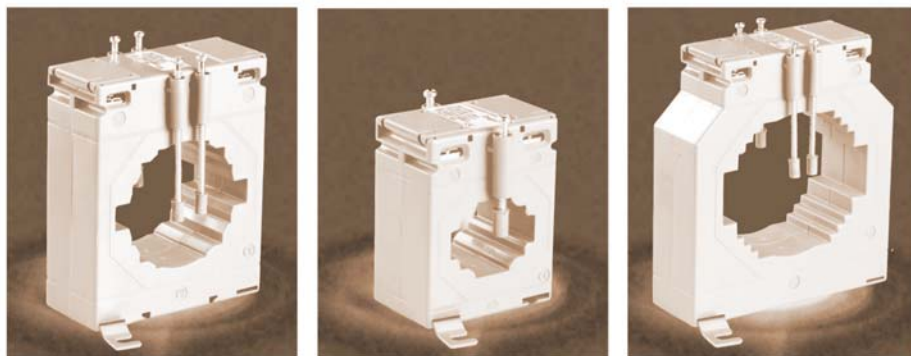
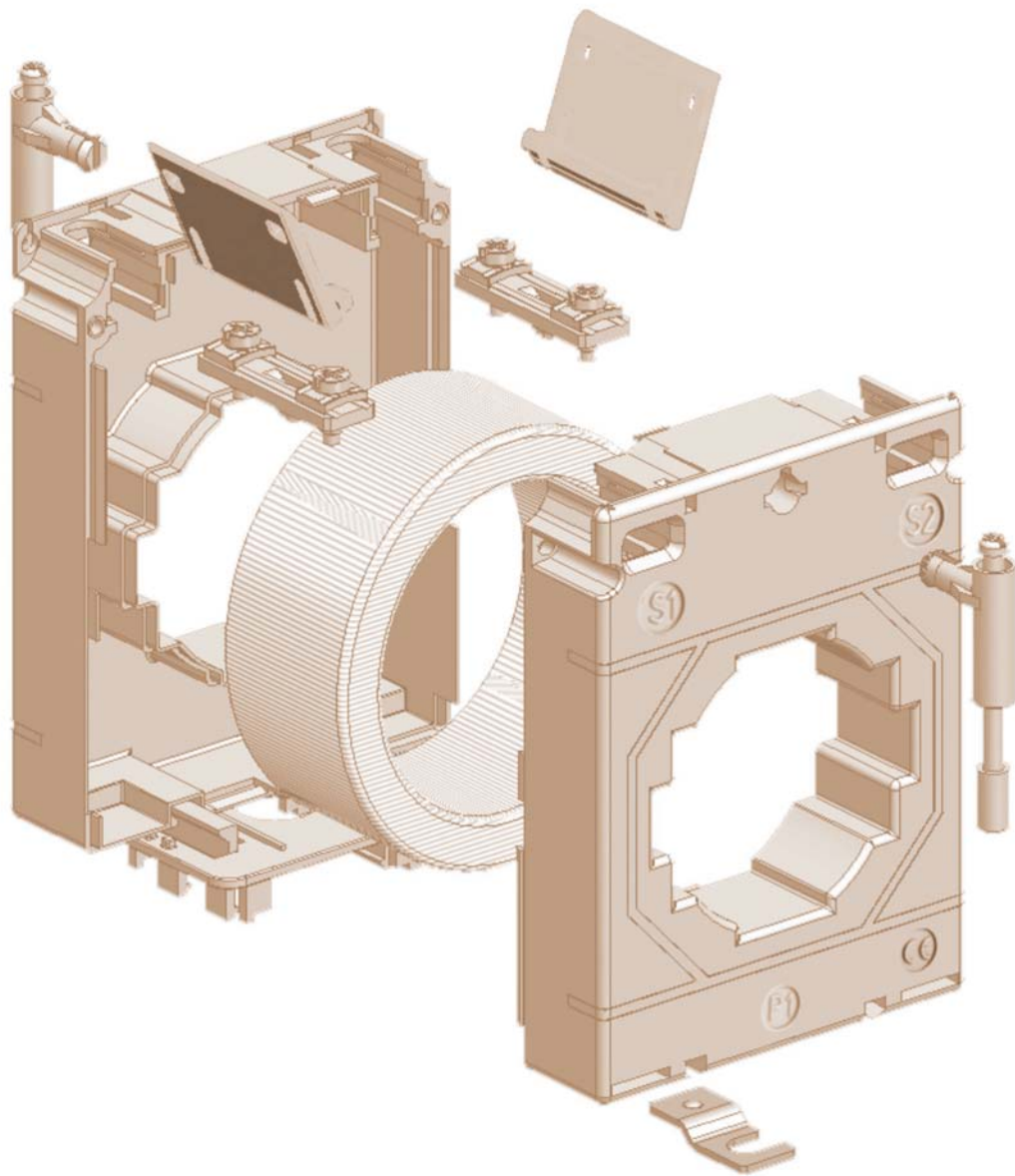


Protection Current Transformers



© Ziegler Instruments Order No. Protection CT-E1.R0-930722-42-2014-EN

ACCURACY CLASS OF PROTECTION CURRENT TRANSFORMER

Class	Current Error (+/- %) by % IN						Phase Displacement Error (+/- minutes) by %IN						Total error by n x IN
	1%	5%	20%	50%	100%	120%	1%	5%	20%	50%	100%	120%	
5P(n)		3	1.5		1	1		180	90		60	60	<5
10P(n)				3	3	3				120	120	120	<10

n = Over Current Rated Limiting Factor

Note:

Protection Class CT is mentioned as per the Accuracy Class as 5P and 10P the n stands for the Over Current Rated limited Factor.

For e.g. if you select the CT ZiP 8.40C 10P5 with Nominal I/P 100A and Secondary 5A.

It means that the CT accuracy class is 3% at 100% rated I/P i.e. 100A and the protection is provided upto 5 time of the rated current i.e. 500A.

ZiP 6.22B

Primary Current	Secondary Current 5A		Secondary Current 1A	
	5P5	10P5	5P5	10P5
100A		1VA		1VA
125A	1VA	1VA	1.5VA	1.5VA
150A	1VA	1VA	1.5VA	1.5VA
200A	1VA	1VA	1.5VA	1.5VA
250A	1VA	1VA	1.5VA	1.5VA
300A	1VA	1.5VA	1.5VA	1.5VA

Bus Bar Dimensions

MODEL	ID	OD	HD
ZiP 6.22B	22.5mm	62mm	40mm

ZiP 6.20B

Primary Current	Secondary Current 5A		Secondary Current 1A	
	Protection Accuracy Class			
	5P5	10P5	5P5	10P5
100A		1VA		1VA
125A	1VA	1VA	1.5VA	1.5VA
150A	1VA	1VA	1.5VA	1.5VA
200A	1VA	1VA	1.5VA	1.5VA

Bus Bar Dimensions

MODEL	ID	OD	HD
ZiP 6.20B	20X10mm	62mm	40mm

ZiP 7.20B

Primary Current	Secondary Current 5A		Secondary Current 1A	
	Protection Accuracy Class			
	5P5	10P5	5P5	10P5
200A	2.5VA	2.5VA	2.5VA	2.5VA
250A	2.5VA	2.5VA	2.5VA	2.5VA
300A	2.5VA	2.5VA	2.5VA	2.5VA
400A	2.5VA	2.5VA	2.5VA	2.5VA

Bus Bar Dimensions

MODEL	ID	OD	HD
ZiP 7.20C	20X10mm	74mm	45mm

ZiP 7.40C

Primary Current	Secondary Current 5A		Secondary Current 1A	
	Protection Accuracy Class			
	5P5	10P5	5P5	10P5
120A	1VA	1VA	1VA	1VA
125A	1VA	1VA	1VA	1VA
150A	1VA	1.5VA	1VA	1.5VA
200A	1.5VA	1.5VA	1.5VA	1.5VA
250A	1.5VA	2.5VA	2.5VA	2.5VA
300A	2.5VA	2.5VA	2.5VA	2.5VA
400A	2.5VA	2.5VA	2.5VA	2.5VA
500A	1.5VA	1.5VA	2.5VA	2.5VA
600A	1.5VA	1.5VA	2.5VA	2.5VA
750A	1.5VA	2.5VA	2.5VA	2.5VA

Bus Bar Dimensions

MODEL	ID	OD	HD
ZiP 7.40B	40X10mm	74mm	45mm

ZiP 10.30 C

Primary Current	Secondary Current 5A				Secondary Current 1A			
	Protection Accuracy Class				Protection Accuracy Class			
	5P5	10P5	5P10	10P10	5P5	10P5	5P10	10P10
50A	2.5VA	2.5VA						
60A	2.5VA	2.5VA		1.5VA	2.5VA	2.5VA	1.5VA	1.5VA
75A	2.5VA	2.5VA		1.5VA	2.5VA	2.5VA	1.5VA	1.5VA
80A	2.5VA	2.5VA	1.5VA	1.5VA	2.5VA	2.5VA	1.5VA	1.5VA
100A	5VA	5VA	1.5VA	2.5VA	5VA	5VA	1.5VA	2.5VA
125A	5VA	5VA	1.5VA	2.5VA	5VA	5VA	1.5VA	2.5VA
150A	7.5VA	7.5VA	2.5VA	2.5VA	7.5VA	7.5VA	2.5VA	2.5VA
200A	10VA	10VA	3.75VA	3.75VA	10VA	10VA	3.75VA	3.75VA
250A	10VA	10VA	5VA	5VA	10VA	10VA	5VA	5VA
300A	10VA	10VA	5VA	5VA	10VA	10VA	5VA	5VA
400A	15VA	15VA	5VA	5VA	15VA	15VA	5VA	5VA
500A	15VA	15VA	7.5VA	7.5VA	15VA	15VA	7.5VA	7.5VA
600A	15VA	15VA	7.5VA	10VA	15VA	15VA	7.5VA	10VA

Bus Bar Dimensions

MODEL	ID	OD	HD
ZiP 10.30 C	30 X 10mm	104mm	45mm

ZiP 8.40C

Primary Current	Secondary Current 5A				Secondary Current 1A			
	Protection Accuracy Class				Protection Accuracy Class			
	5P5	10P5	5P10	10P10	5P5	10P5	5P10	10P10
100A	1.5VA	1.5VA			2.5VA	1.5VA		
120A	1.5VA	1.5VA			1.5VA	1.5VA		
125A	1.5VA	2.5VA			2.5VA	2.5VA		
150A	2.5VA	2.5VA			2.5VA	2.5VA		
200A	3.75VA	3.75VA	1.5VA	1.5VA	3.75VA	3.75VA	1.5VA	1.5VA
250A	5VA	5VA	1.5VA	1.5VA	5VA	5VA	1.5VA	1.5VA
300A	5VA	5VA	1.5VA	1.5VA	5VA	5VA	1.5VA	1.5VA
400A	7.5VA	5VA	2.5VA	2.5VA	7.5VA	5VA	2.5VA	2.5VA
500A	7.5VA	7.5VA	2.5VA	2.5VA	7.5VA	7.5VA	2.5VA	2.5VA
600A	5VA	7.5VA	3.75VA	5VA	5VA	7.5VA	2.5VA	2.5VA
750A	10VA	10VA	5VA	5VA	7.5VA	7.5VA	5VA	5VA
800A	7.5VA	7.5VA	5VA	5VA	7.5VA	7.5VA	5VA	5VA
1000A	12.5VA	12.5VA	5VA	5VA	10VA	10VA	5VA	5VA

Bus Bar Dimensions

MODEL	ID	OD	HD
ZiP 8.40C	40 X 10mm	86mm	45mm

ZiP 8.50C

Primary Current	Secondary Current 5A				Secondary Current 1A			
	Protection Accuracy Class				Protection Accuracy Class			
	5P5	10P5	5P10	10P10	5P5	10P5	5P10	10P10
100A	1.5VA	1.5VA			1.5VA	1.5VA		
150A	2.5VA	2.5VA			2.5VA	2.5VA		
200A	3.75VA	3.75VA			3.75VA	3.75VA		
250A	3.75VA	3.75VA			3.75VA	3.75VA		
300A	5VA	5VA	2.5VA	2.5VA	5VA	5VA	2.5VA	2.5VA
400A	5VA	5VA	1.5VA	1.5VA	5VA	5VA	1.5VA	1.5VA
500A	5VA	5VA	1.5VA	1.5VA	5VA	5VA	1.5VA	1.5VA
600A	5VA	5VA	1.5VA	1.5VA	5VA	5VA	1.5VA	1.5VA
750A	7.5VA	7.5VA	2.5VA	2.5VA	5VA	5VA	2.5VA	2.5VA
800A	7.5VA	7.5VA	2.5VA	2.5VA	5VA	5VA	2.5VA	2.5VA
1000A	10VA	10VA	2.5VA	2.5VA	7.5VA	7.5VA	2.5VA	2.5VA

Bus Bar Dimensions

MODEL	ID	OD	HD
ZiP 8.50C	50 X 10mm	86mm	45mm

ZiP 10.50C

Primary Current	Secondary Current 5A				Secondary Current 1A			
	Protection Accuracy Class				Protection Accuracy Class			
	5P5	10P5	5P10	10P10	5P5	10P5	5P10	10P10
150A	2.5VA	2.5VA			2.5VA	2.5VA		
200A	5VA	5VA	1.5VA	1.5VA	5VA	5VA	2.5VA	2.5VA
250A	5VA	7.5VA	2.5VA	2.5VA	5VA	7.5VA	2.5VA	2.5VA
300A	7.5VA	7.5VA	2.5VA	2.5VA	7.5VA	7.5VA	2.5VA	2.5VA
400A	7.5VA	7.5VA	2.5VA	2.5VA	7.5VA	7.5VA	2.5VA	2.5VA
500A	10VA	10VA	2.5VA	2.5VA	10VA	10VA	2.5VA	5VA
600A	10VA	10VA	2.5VA	2.5VA	10VA	10VA	5VA	5VA
750A	10VA	10VA	5VA	5VA	10VA	10VA	5VA	5VA
800A	10VA	10VA	5VA	5VA	10VA	10VA	5VA	5VA
1000A	10VA	10VA	5VA	5VA	10VA	10VA	5VA	5VA

Bus Bar Dimensions

MODEL	ID	OD	HD
ZiP 10.50C	50 X 12mm	104mm	45mm

ZiP 22.50D

Primary Current	Secondary Current 5A				Secondary Current 1A			
	Protection Accuracy Class				Protection Accuracy Class			
	5P5	10P5	5P10	10P10	5P5	10P5	5P10	10P10
100A	10VA	15VA			10VA	15VA		
150A	15VA	15VA			15VA	15VA		
200A	15VA	15VA	5VA	10VA	15VA	15VA	7.5VA	10VA
250A	15VA	15VA	10VA	15VA	15VA	15VA	10VA	15VA
300A	15VA	15VA	10VA	15VA	15VA	15VA	10VA	15VA
400A	15VA	15VA	15VA	15VA	15VA	15VA	15VA	15VA
500A	15VA	15VA	15VA	15VA	15VA	15VA	15VA	15VA
600A	15VA	15VA	15VA	15VA	15VA	15VA	15VA	15VA
750A	15VA	15VA	15VA	15VA	15VA	15VA	15VA	15VA
800A	15VA	15VA	15VA	15VA	15VA	15VA	15VA	15VA
1000A	15VA	15VA	15VA	15VA	15VA	15VA	15VA	15VA
1200A	15VA	15VA	15VA	15VA	15VA	15VA	15VA	15VA
1250A	15VA	15VA	15VA	15VA	15VA	15VA	15VA	15VA
1500A	15VA	15VA	15VA	15VA	15VA	15VA	15VA	15VA
2000A	15VA	15VA	15VA	15VA	15VA	15VA	15VA	15VA

Bus Bar Dimensions

MODEL	ID	OD	HD
ZiP 22.50D	50 X 12mm	225mm	50mm

ZiP 10.60C

Primary Current	Secondary Current 5A				Secondary Current 1A			
	Protection Accuracy Class				Protection Accuracy Class			
	5P5	10P5	5P10	10P10	5P5	10P5	5P10	10P10
100A	2.5VA	2.5VA			2.5VA	2.5VA		
150A	3.75VA	3.75VA	1VA	1VA	3.75VA	3.75VA		
200A	5VA	5VA	1.5VA	1.5VA	5VA	5VA	1.5VA	1.5VA
250A	5VA	7.5VA	2.5VA	2.5VA	5VA	7.5VA	2.5VA	2.5VA
300A	7.5VA	7.5VA	2.5VA	2.5VA	7.5VA	7.5VA	2.5VA	2.5VA
400A	7.5VA	7.5VA	2.5VA	2.5VA	7.5VA	7.5VA	2.5VA	2.5VA
500A	7.5VA	7.5VA	2.5VA	2.5VA	7.5VA	7.5VA	2.5VA	2.5VA
600A	10VA	10VA	3.75VA	3.75VA	10VA	10VA	3.75VA	3.75VA
750A	10VA	10VA	3.75VA	3.75VA	10VA	10VA	3.75VA	3.75VA
800A	10VA	10VA	3.75VA	3.75VA	10VA	10VA	3.75VA	3.75VA
1000A	12.5VA	12.5VA	3.75VA	3.75VA	12.5VA	12.5VA	3.75VA	3.75VA
1200A	15VA	15VA	5VA	5VA	15VA	15VA	5VA	5VA
1250A	15VA	15VA	5VA	5VA	15VA	15VA	5VA	5VA

Bus Bar Dimensions

MODEL	ID	OD	HD
ZiP 10.60C	60 X 10mm	104mm	45mm

ZiP 14.60C

Primary Current	Secondary Current 5A				Secondary Current 1A			
	Protection Accuracy Class				Protection Accuracy Class			
	5P5	10P5	5P10	10P10	5P5	10P5	5P10	10P10
200A	7.5VA	7.5VA	2.5VA	2.5VA	7.5VA	7.5VA	2.5VA	2.5VA
250A	7.5VA	7.5VA	2.5VA	2.5VA	7.5VA	7.5VA	2.5VA	2.5VA
300A	10VA	10VA	3.75VA	3.75VA	10VA	10VA	3.75VA	3.75VA
400A	10VA	10VA	5VA	5VA	10VA	10VA	5VA	5VA
500A	10VA	10VA	5VA	5VA	10VA	10VA	5VA	5VA
600A	12.5VA	12.5VA	5VA	5VA	12.5VA	12.5VA	5VA	5VA
750A	12.5VA	12.5VA	5VA	5VA	12.5VA	12.5VA	5VA	5VA
800A	12.5VA	12.5VA	5VA	5VA	12.5VA	12.5VA	5VA	5VA
1000A	12.5VA	12.5VA	7.5VA	7.5VA	12.5VA	12.5VA	7.5VA	7.5VA
1200A	12.5VA	12.5VA	7.5VA	7.5VA	12.5VA	12.5VA	7.5VA	7.5VA
1250A	12.5VA	12.5VA	7.5VA	7.5VA	12.5VA	12.5VA	7.5VA	7.5VA
1500A	15VA	15VA	10VA	10VA	15VA	15VA	10VA	10VA
1600A	15VA	15VA	10VA	10VA	15VA	15VA	10VA	10VA
2000A	20VA	20VA	12.5VA	12.5VA	20VA	20VA	12.5VA	12.5VA

Bus Bar Dimensions

MODEL	ID	OD	HD
ZiP 14.60C	60 X 30mm	104mm	45mm

ZiP 22.60D

Primary Current	Secondary Current 5A				Secondary Current 1A			
	Protection Accuracy Class				Protection Accuracy Class			
	5P5	10P5	5P10	10P10	5P5	10P5	5P10	10P10
100A	10VA	15VA	-	-	10VA	15VA	-	-
150A	15VA	15VA	5VA	-	15VA	15VA	5VA	-
200A	15VA	15VA	7.5VA	10VA	15VA	15VA	7.5VA	10VA
250A	15VA	15VA	10VA	15VA	10VA	10VA	5VA	7.5VA
300A	15VA	15VA	10VA	15VA	15VA	15VA	5VA	7.5VA
400A	15VA	15VA	15VA	15VA	15VA	15VA	15VA	15VA
500A	15VA	15VA	15VA	15VA	15VA	15VA	15VA	15VA
600A	15VA	15VA	15VA	15VA	15VA	15VA	15VA	15VA
750A	15VA	15VA	15VA	15VA	15VA	15VA	15VA	15VA
800A	15VA	15VA	15VA	15VA	15VA	15VA	15VA	15VA
1000A	15VA	15VA	15VA	15VA	15VA	15VA	15VA	15VA
1250A	15VA	15VA	15VA	15VA	15VA	15VA	15VA	15VA
1500A	15VA	15VA	15VA	15VA	15VA	15VA	15VA	15VA
2000A	15VA	15VA	15VA	15VA	15VA	15VA	15VA	15VA

Bus Bar Dimensions

MODEL	ID	OD	HD
ZiP 22.60D	60 X 10mm	225mm	50mm

ZiP 14.80C

Primary Current	Secondary Current 5A				Secondary Current 1A			
	Protection Accuracy Class				Protection Accuracy Class			
	5P5	10P5	5P10	10P10	5P5	10P5	5P10	10P10
200A	5VA	5VA	2.5VA	2.5VA	5VA	5VA	2.5VA	2.5VA
250A	5VA	5VA	2.5VA	2.5VA	5VA	5VA	2.5VA	2.5VA
300A	7.5VA	7.5VA	3.75VA	3.75VA	7.5VA	7.5VA	3.75VA	3.75VA
400A	10VA	10VA	5VA	5VA	10VA	10VA	5VA	5VA
500A	10VA	10VA	5VA	5VA	10VA	10VA	5VA	5VA
600A	10VA	10VA	5VA	5VA	10VA	10VA	5VA	5VA
750A	10VA	10VA	5VA	5VA	10VA	10VA	5VA	5VA
800A	10VA	10VA	5VA	5VA	10VA	10VA	5VA	5VA
1000A	10VA	10VA	5VA	5VA	10VA	10VA	5VA	5VA
1200A	10VA	10VA	5VA	5VA	10VA	10VA	5VA	5VA
1250A	10VA	10VA	5VA	5VA	10VA	10VA	5VA	5VA
1500A	15VA	15VA	7.5VA	7.5VA	15VA	15VA	7.5VA	7.5VA
1600A	15VA	15VA	7.5VA	7.5VA	15VA	15VA	7.5VA	7.5VA
2000A	20VA	20VA	10VA	10VA	20VA	20VA	10VA	10VA
2500A	20VA	20VA	10VA	10VA	20VA	20VA	10VA	10VA

Bus Bar Dimensions

MODEL	ID	OD	HD
ZiP 14.80C	80 X 31mm	104mm	45mm

ZiP 14.10C

Primary Current	Secondary Current 5A				Secondary Current 1A			
	Protection Accuracy Class				Protection Accuracy Class			
	5P5	10P5	5P10	10P10	5P5	10P5	5P10	10P10
250A	2.5VA	2.5VA			2.5VA	2.5VA		
300A	3.75VA	3.75VA	1VA	1VA	3.75VA	3.75VA	1VA	1VA
400A	5VA	5VA	1.5VA	1.5VA	5VA	5VA	1.5VA	1.5VA
500A	5VA	5VA	1.5VA	1.5VA	5VA	5VA	1.5VA	1.5VA
600A	5VA	5VA	1.5VA	1.5VA	5VA	5VA	1.5VA	1.5VA
750A	7.5VA	7.5VA	2.5VA	2.5VA	7.5VA	7.5VA	2.5VA	2.5VA
800A	10VA	10VA	2.5VA	2.5VA	10VA	10VA	2.5VA	2.5VA
1000A	10VA	10VA	2.5VA	2.5VA	10VA	10VA	2.5VA	2.5VA
1200A	10VA	10VA	2.5VA	2.5VA	10VA	10VA	2.5VA	2.5VA
1250A	10VA	10VA	2.5VA	2.5VA	10VA	10VA	2.5VA	2.5VA
1500A	10VA	10VA	2.5VA	2.5VA	10VA	10VA	2.5VA	2.5VA
1600A	10VA	10VA	2.5VA	2.5VA	10VA	10VA	2.5VA	2.5VA
2000A	10VA	10VA	2.5VA	2.5VA	10VA	10VA	2.5VA	2.5VA
2500A	10VA	10VA	2.5VA	2.5VA	10VA	10VA	2.5VA	2.5VA
3000A	10VA	10VA	2.5VA	2.5VA	10VA	10VA	2.5VA	2.5VA

Bus Bar Dimensions

MODEL	ID	OD	HD
ZiP 14.10C	101 X 31mm	104mm	45mm

ZiP 22.12D

Primary Current	SecondaryCurrent5A				SecondaryCurrent1A			
	ProtectionAccuracyClass				ProtectionAccuracyClass			
	5P5	10P5	5P10	10P10	5P5	10P5	5P10	10P10
600A	5VA	5VA			5VA	5VA		
750A	5VA	10VA			10VA	10VA		
1000A	10VA	10VA			10VA	10VA		
1200A	10VA	15VA	1.5VA	2.5VA	10VA	15VA	1.5VA	2.5VA
1250A	10VA	15VA	1.5VA	2.5VA	10VA	15VA	1.5VA	2.5VA
1500A	15VA	15VA	2.5VA	2.5VA	15VA	15VA	2.5VA	2.5VA
1600A	15VA	15VA	2.5VA	2.5VA	15VA	15VA	2.5VA	2.5VA
2000A	15VA	15VA	3.75VA	5VA	15VA	15VA	3.75VA	5VA
2500A	15VA	15VA	5VA	7.5VA	15VA	15VA	5VA	7.5VA
3000A	15VA	20VA	5VA	7.5VA	15VA	20VA	5VA	7.5VA
4000A	15VA	20VA	5VA	7.5VA	15VA	20VA	5VA	7.5VA
5000A	20VA	20VA	5VA	10VA	20VA	20VA	5VA	10VA

Bus Bar Dimensions

MODEL	ID	OD	HD
ZiP 22.12D	125 X 93mm	225mm	50mm

ZiP 22.16D

Primary Current	SecondaryCurrent5A				SecondaryCurrent1A			
	ProtectionAccuracyClass				ProtectionAccuracyClass			
	5P5	10P5	5P10	10P10	5P5	10P5	5P10	10P10
1000A	5VA	5VA			5VA	5VA		
1200A	5VA	7.5VA	1.5VA	2.5VA	5VA	7.5VA	1.5VA	2.5VA
1250A	5VA	7.5VA	1.5VA	2.5VA	5VA	7.5VA	1.5VA	2.5VA
1500A	5VA	7.5VA	2.5VA	3.75VA	5VA	7.5VA	2.5VA	3.75VA
1600A	5VA	7.5VA	2.5VA	3.75VA	5VA	7.5VA	2.5VA	3.75VA
2000A	7.5VA	12.5VA	3.75VA	5VA	7.5VA	12.5VA	3.75VA	5VA
2500A	10VA	15VA	3.75VA	7.5VA	10VA	15VA	3.75VA	7.5VA
3000A	15VA	20VA	7.5VA	10VA	15VA	20VA	7.5VA	10VA
4000A	20VA	20VA	7.5VA	12.5VA	20VA	20VA	7.5VA	12.5VA
5000A	20VA	20VA	7.5VA	12.5VA	20VA	20VA	7.5VA	12.5VA
6000A	20VA	20VA	7.5VA	12.5VA	20VA	20VA	7.5VA	12.5VA

Bus Bar Dimensions

MODEL	ID	OD	HD
ZiP 22.16D	167 X 66mm	225mm	50mm

ZIEGLER INSTRUMENTS

Schnepfenreuther Weg 6, D-90425 Nürnberg, Germany.

TEL. | (+49)(911) 38 492 45 | E-MAIL | info@ziegler-instruments.com
 FAX. | (+49)(911) 32 26 212 | WEBSITE | www.ziegler-instruments.com



Ziegler

Redefine Innovative Metering